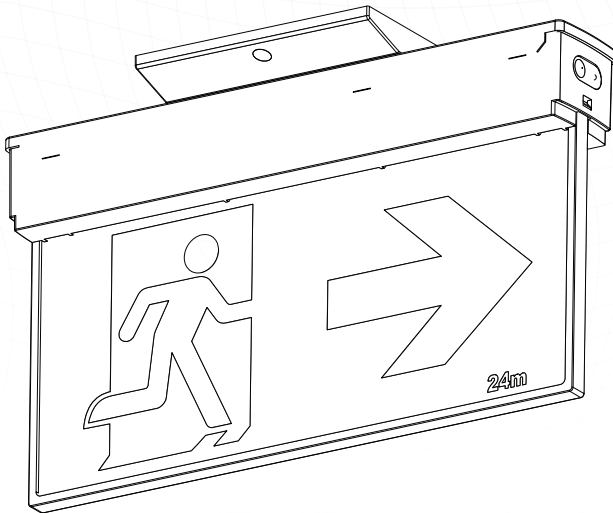


ELMARK™
LIGHTING

NYX

EMERGENCY EXIT LIGHT
WEATHERPROOF



RoHS 

PRECAUTIONS

Normal Operation: The green LED indicator stays on when connected to mains supply. The indicator will turn off when the mains supply fails, or when the internal charger malfunctions, or when the luminaire is in test mode.

Battery: LiFePO4 rechargeable battery pack. Battery should be replaced when it reaches the end of its lifetime. To avoid damage to the luminaire and ensure its performance, the battery should be replaced with the same type.

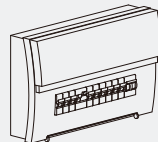
Test Switch: Press the test button, LED indicator will turn off / flash and the luminaire will be powered by the battery pack. The light source is non-replaceable. When the light source reaches the end of its lifetime, the whole luminaire should be replaced.

Inspection and Maintenance: Must be performed in accordance with AS/NZS 2293 for Australian and New Zealand installations and in accordance with relevant local standards in other countries.

INSTALLATION PRECAUTIONS












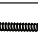
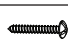
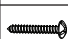
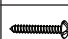








WARNING

1. Isolate mains supply before installation or maintenance.
2. Only use a qualified electrician for installation and maintenance.
3. Luminaire must be installed to AS/NZS 3000 standards.
4. Use a **circular** TPS cable for installation.
5. Switch on only after completing installation and proper examination of circuit.



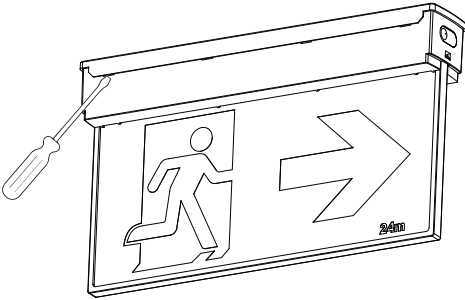
Read instructions thoroughly and ensure you have all the tools and accessories to complete the installation correctly and safely.

SUPPLIED ACCESSORIES

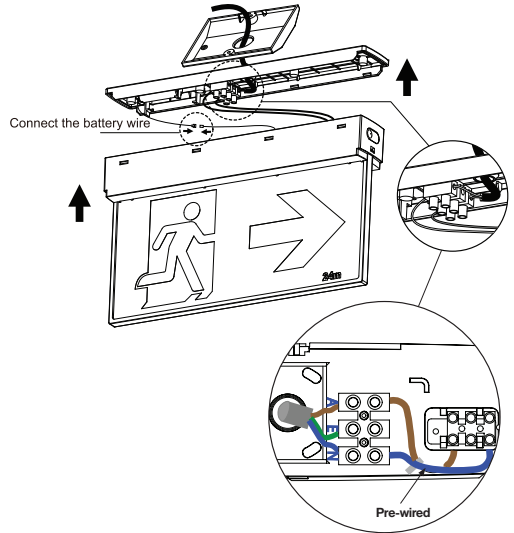
CEILING MOUNT KIT			SIDE MOUNT KIT			BACK MOUNT KIT			PENDANT MOUNT KIT		
	Ceiling Bracket	1pc		Side Bracket	1pc		Back Bracket	1pc		Suspension Sling	2pcs
	Waterproof rubber ring	1pc		Waterproof rubber ring	1pc		Waterproof rubber ring	1pc		Waterproof rubber ring	1pc
	PM4*10 screw	2pcs		PM4*10 screw	2pcs		PM4*10 screw	2pcs		TPA4*30mm	2pcs
	TPA4*30mm	2pcs		TPA4*30mm	3pcs		TPA4*30mm	2pcs		PC expansion screw	2pcs
	PC expansion screw	2pcs		PC expansion screw	3pcs		PC expansion screw	2pcs		NG16 nylon gland	1pc
	NG16 nylon gland	1pc		NG16 nylon gland	1pc		NG16 nylon gland	1pc			

CEILING MOUNT INSTALLATION

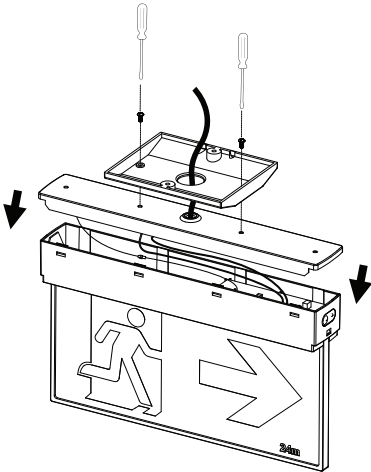
1. Pry up 4 slots at both sides with a flat screwdriver to open the cover.



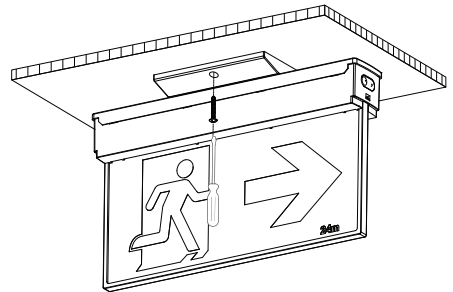
2. Pass AC wires through the ceiling mount bracket and upper cover, wiring to the terminals

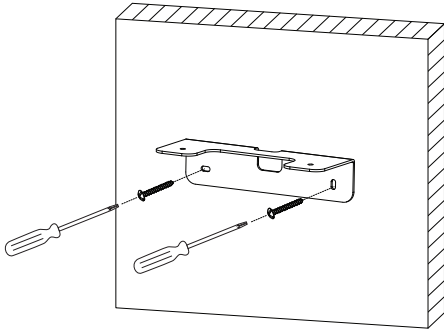


3. Screw the ceiling mount bracket on the top cover, then close the cover back onto the main body.



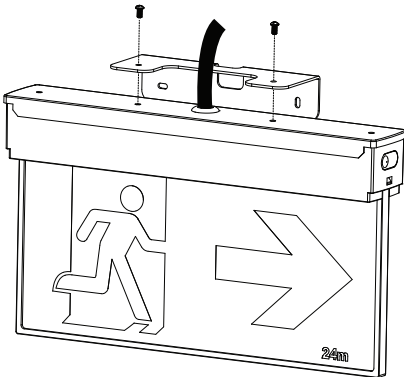
4. Fix the exit sign on the ceiling with a philips screwdriver.



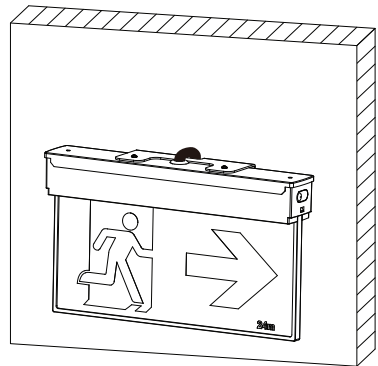


1. Use a philips screwdriver to fix the back mount bracket onto the mounting surface.

2. Refer to the second step of Ceiling Mount for the internal wiring, then fit the exit sign onto the back mount bracket.

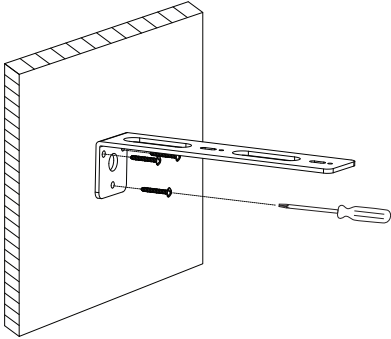


3. Installation complete.

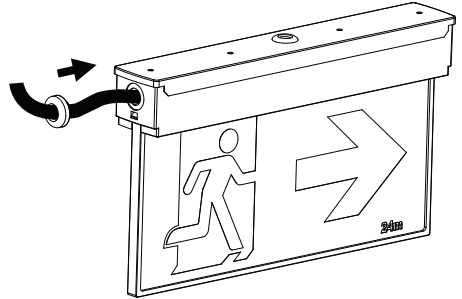


SIDE MOUNT INSTALLATION

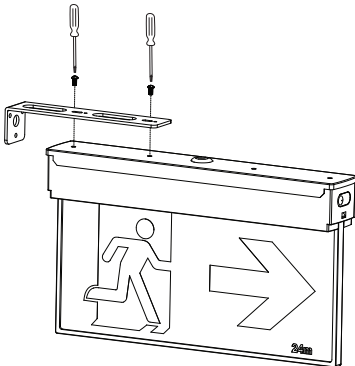
1. Use a philips screwdriver to fix the Side Mount Bracket on the mounting surface.



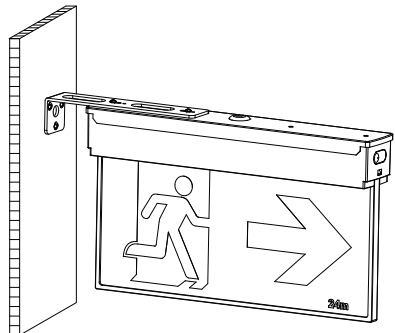
2. Knock out the side cable entry hole on the main body, enter the AC line and plug the rubber plug. Refer to the second step of the Ceiling Mount instructions for the internal wiring.

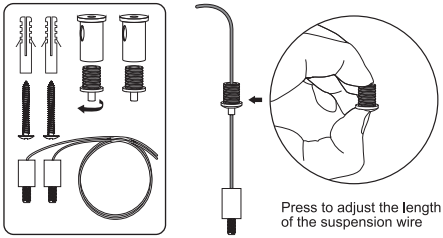


3. Fix the exit sign onto the side mount bracket.

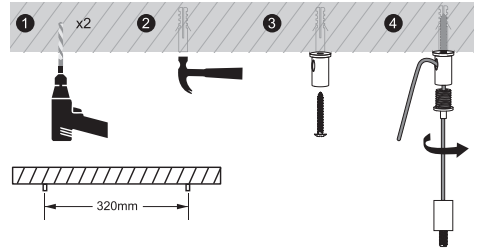


4. Installation complete.

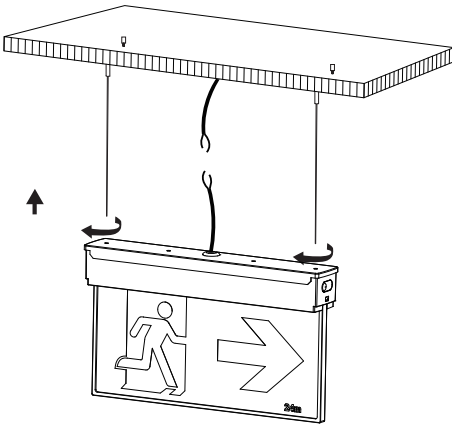




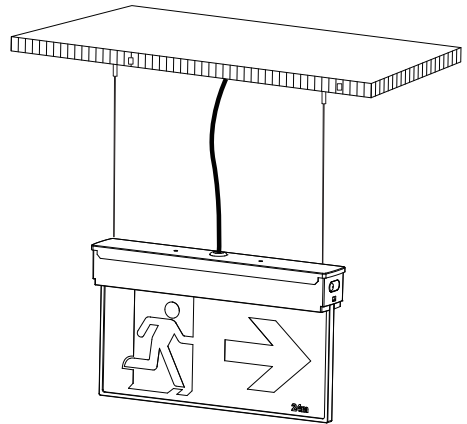
1. Fix hanging rope onto the ceiling.



2. Fix the other end of the rope onto the housing, and connect the power supply cable.



3. Installation complete.



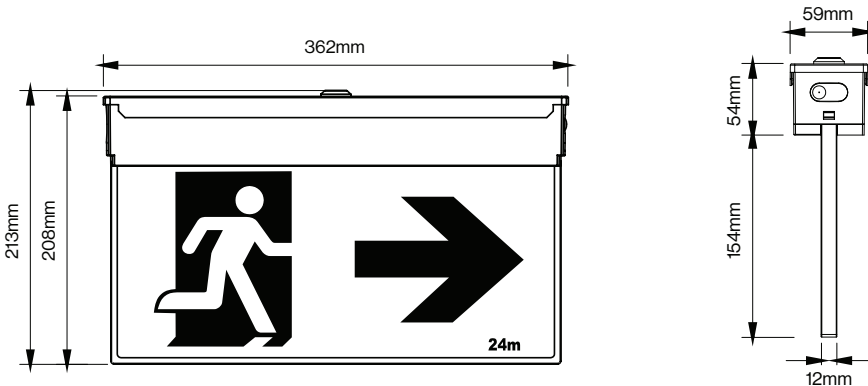
SPECIFICATIONS

Voltage	220-240VAC, 50/60Hz
Mains Power	3W Max
Emergency Power	1W Max
Battery	LiFePO4 3.2V 600mAh
Charge Time	≥16H
Discharge Duration	≥2H
CCT/ CRI	6000K/ Ra>80
Visibility	24M
Test Mode	Manual Test / DALI**
Wiring	Terminal Block (0.75-6mm ²)
Protection Class	Class II
IP Rating	IP65

STRUCTURE

Material	PC
LGP	Acrylic (PMMA)
Decal	PET
Operating Temp (°C)	0°C ~45°C
Mounting Type	Ceiling / Side / Back / Pendant Mount*

DIMENSIONS



*Side, Back, and Pendant mounts sold separately .

**DALI available on request.

